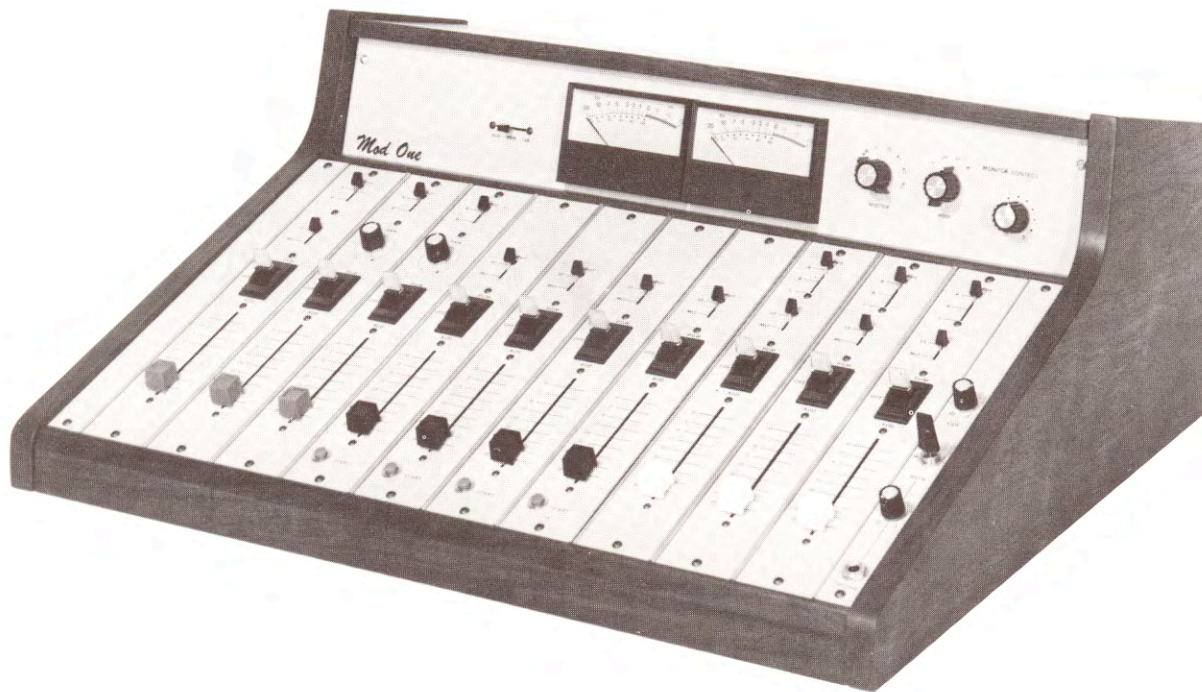


Universal Audio
MOD ONE
AM & FM BROADCAST CONSOLES

MODELS
110 MONO,
210 STEREO



Mod One is all that the name implies: The **one** MODERN, MODULAR broadcast audio console system. While utilizing design concepts developed for contemporary recording studio consoles, Mod One is specifically radio oriented — physically, electronically and humanly engineered for AM and FM broadcasting.

Modular, printed circuit board construction provides extreme flexibility at lowest cost. All solid-state-of-the-art, Mod One exceeds all FCC proof-of-performance requirements. Plug-in modules and

amplifiers make format changes simple — start with only the modules you need, and expand or change to meet new requirements.

Basic console housing and printed-circuit mother-board is identical for all configurations. A wide selection of input modules and plug-in amplifier cards permits customizing your Mod One to exactly suit your present or future requirements — AM or FM, monaural, stereo or quadraphonic.

Compare features — compare specifications — compare prices. Look into the future with Mod One!



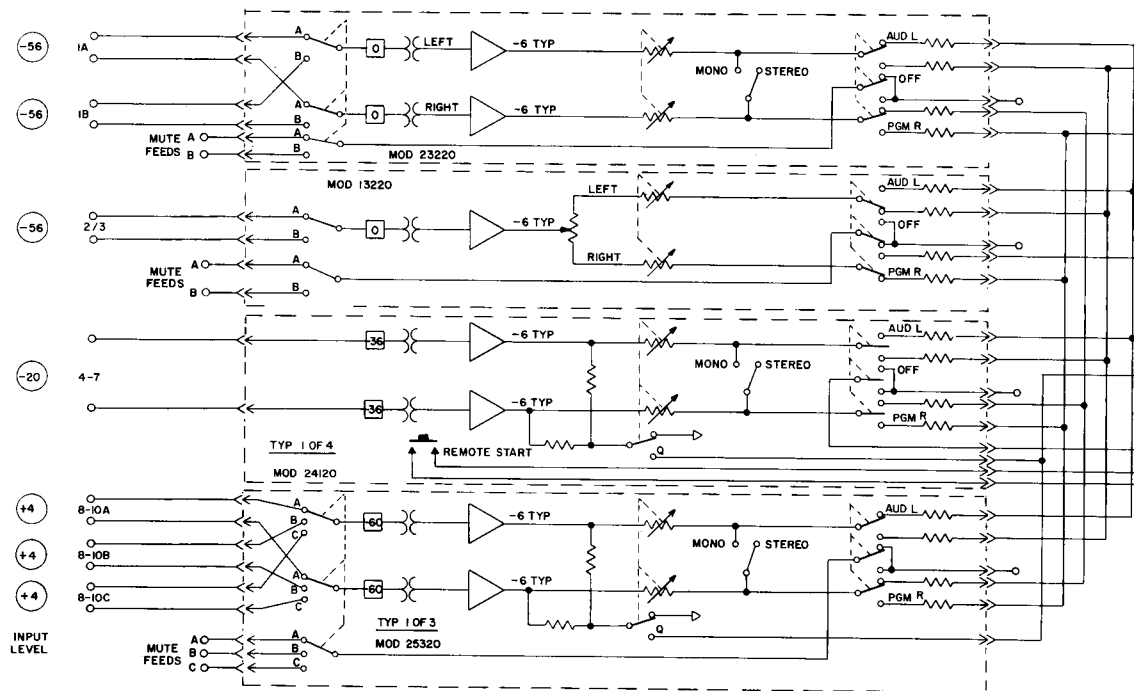
UNITED RECORDING ELECTRONICS INDUSTRIES

8460 SAN FERNANDO RD., SUN VALLEY, CALIFORNIA 91352
TELEX 65-1389 UREI SNVY

(213) 767-1000

 UREI company

MODELS
110 MONO,
210 STEREO



Above is a functional block diagram of a stereo configuration of the Mod One console, as pictured on the front of this brochure. Four different types of input modules are illustrated, and these are available in either monaural or stereo configuration. Any input module may be plugged into the housing in any of 10 positions — all interfacing between the module and the console housing is via a single printed circuit edge connector on the module which mates with any of 10 identical sockets on the console mother board. Program, audition, monitor booster, cue booster and headphone amplifiers are plug-in cards located under the hinged top of the meter panel.

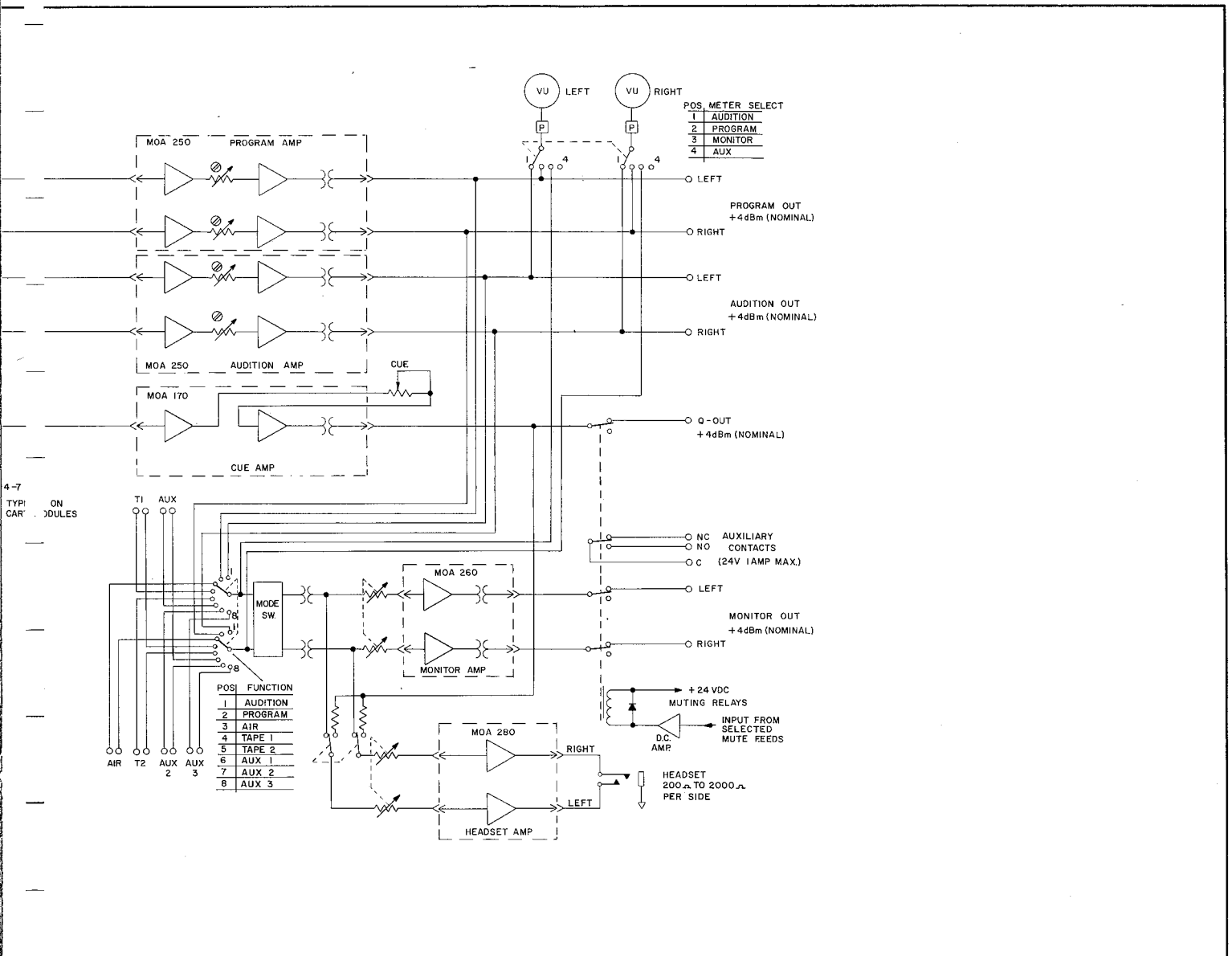
All input and output connections to the console are made to numbered solder terminals inside the rear of the cabinet. Convenient provision has been made for the installation of the input pads indicated on the block schematic. Two pairs of terminals (plus shield ground) are provided for each input of each module position. An external source is connected to one pair of terminals, and $\frac{1}{4}$ watt resistors are installed between terminals in accordance with a pad loss chart and instructions furnished with the console. Pads may subsequently

be changed, if desired, without disturbing the external wire pairs. For ease of wiring, the hinged top above the meter panel, and a portion of the rear cabinet and metal chassis may be removed in one piece by removing four machine screws.

The Mod One console is all steel, with solid walnut trim. When all module spaces are filled (either by input modules or blanks) complete RF shielding is effected. All inputs and outputs are balanced and transformer isolated for best hum and RFI rejection. External power supply is furnished, and DC connection is through a Jones-type plug in the rear of the console. Monitor and cue power amplifiers not included.

The Mod One may be installed on top of a 30" deep table top, leaving 10 inches of table space in front for log keeping and arm rest.

Module width is $2\frac{1}{8}$ ", and represents an optimum compromise between the usual $2\frac{1}{2}$ " to 3" spacing required on broadcast consoles using rotary attenuators, and the $1\frac{1}{2}$ " spacing which has become standard on recording consoles using vertical faders. Total console width is only $24\frac{3}{4}$ inches,



FEATURES:

- Up to 10 input modules. Will provide maximum of 30 inputs, high level or microphone, monaural or stereo.
- Silent action switches for all on-air functions. Illuminated PGM-OFF-AUDITION lever switches.
- Longlife conductive plastic vertical faders, with detented cue position (line & cartridge modules.)
- Automatic muting of monitor & cue speakers
- Monitor Select Switch with aux. & tape inputs.
- VU meter switching
- Built-in headphone amplifier
- Highest quality components throughout for troublefree service
- Easy installation — easily expandable.
- Modern, attractive styling.

permitting location of turntables or cartridge players within easy reach. Height is less than 10 inches, allowing a copy board to be placed comfortably without obscuring meters or controls.

Program and Audition outputs are identical in specification and levels, so that the "audition" channels may be used for tracks 3 and 4 in Quadraphonic broadcasting. (Special Quad meter panels with four meters are available on special order.)

Only the meter panel layout differs between the standard MOH 110 (monaural) and MOH 210 (stereo) console housings. In the MOH 110, the right-hand meter is always PROGRAM, and is not switchable. The left-hand meter is switchable between AUDITION and MON. and the MODE switch is omitted.

System electrical specifications are listed on Page 4, and represent worst-case condition, with all 10 input modules operative.

Details and specifications of the various optional input modules and plug-in amplifiers are on separate data sheets.

SPECIFICATIONS

Input Levels	:	-50 to +4 dBm (selectable by input pads at each input).
Nominal Gain	:	54 dB (allowing "normal" settings faders & submasters).
Maximum Gain	:	80 dB, (faders & submasters maximum).
Output Levels	:	All channels +4 dBm nominal (may be optionally +8).
Frequency Response	:	± 1 dB 30 Hz to 20 kHz.
Distortion (THD)	:	Less than 0.5%, +20 dBm, 30 Hz to 20 kHz.
Signal-to-noise ratio	:	Better than 70 dB (15.7 kHz Noise Bandwidth).
Cross Talk (stereo)	:	60 dBm (minimum) to 10 kHz, 50 dB to 20 kHz.
Power Supply	:	± 24 VDC (bi-polar) 1.5 A maximum (actual current depends on number and type of amplifiers and modules). Operates from 110-120 VAC mains, 50/60 Hz.
Dimensions	:	Width 24.75 inches. (63 cm). Depth 19.75 inches. (50 cm). Height 9.40 inches. (24 cm).

Option: On special order, at additional cost, meter panel is available with four meters. In this Quad configuration two meters are permanently assigned to PROGRAM outputs; the other two are switchable between AUDITION output and the remaining meter functions.